



FILLER BREATHERS

TECHNICAL DATA:

Cap : chrome plated steel.
Lock and chains : galvanized steel.
Pressure valve : on request.
Working temperature : -25 to +110C
seals : rubberized cork.

FILTRATION:

Basket : powder coated steel.
Filtration : 3 µm ABS,
10 µm ABS, 10 µm NOM.

STOCK SIZES:

AFHU(VL)-2013(/L)

AIR FLOW RATES:

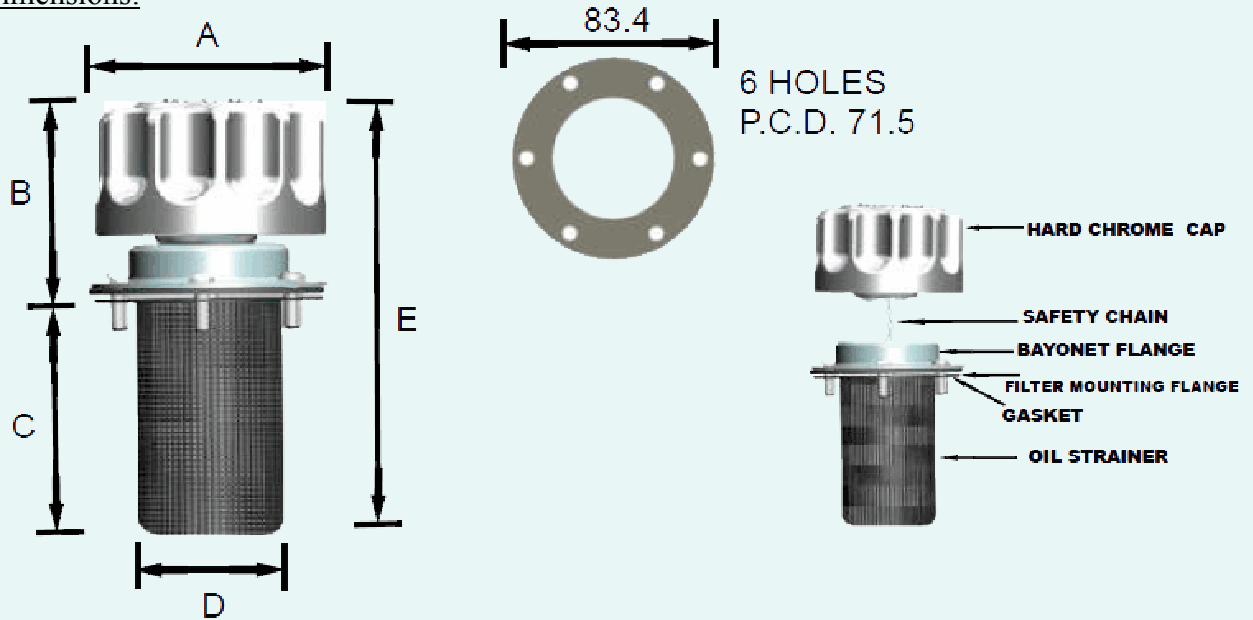
750 l/min.





FILLER BREATHERS

Dimensions:



PART NO	DISPLACEMENT	MICRONS	A	B	C	D	E
AFHU(VL)-2013	720 LPM	3 µm ABS, 10 µm ABS, 10 µm NOM.	76	60	87	49	148
AFHU(VL)-2013/L	720 LPM	3 µm ABS, 10 µm ABS, 10 µm NOM.	76	60	87	49	148



FILLER BREATHERS

TECHNICAL DATA:

Cap : chrome plated steel.
Connector : galvanized steel.
Pressure valve : on request.
Working temperature : -25 to +110C
seals : nitrile (buna N).

FILTRATION:

Filtration : 3 μ m ABS,
10 μ m ABS, 10 μ m NOM.

STOCK SIZES:

1/4" BSP TO 1" BSP.

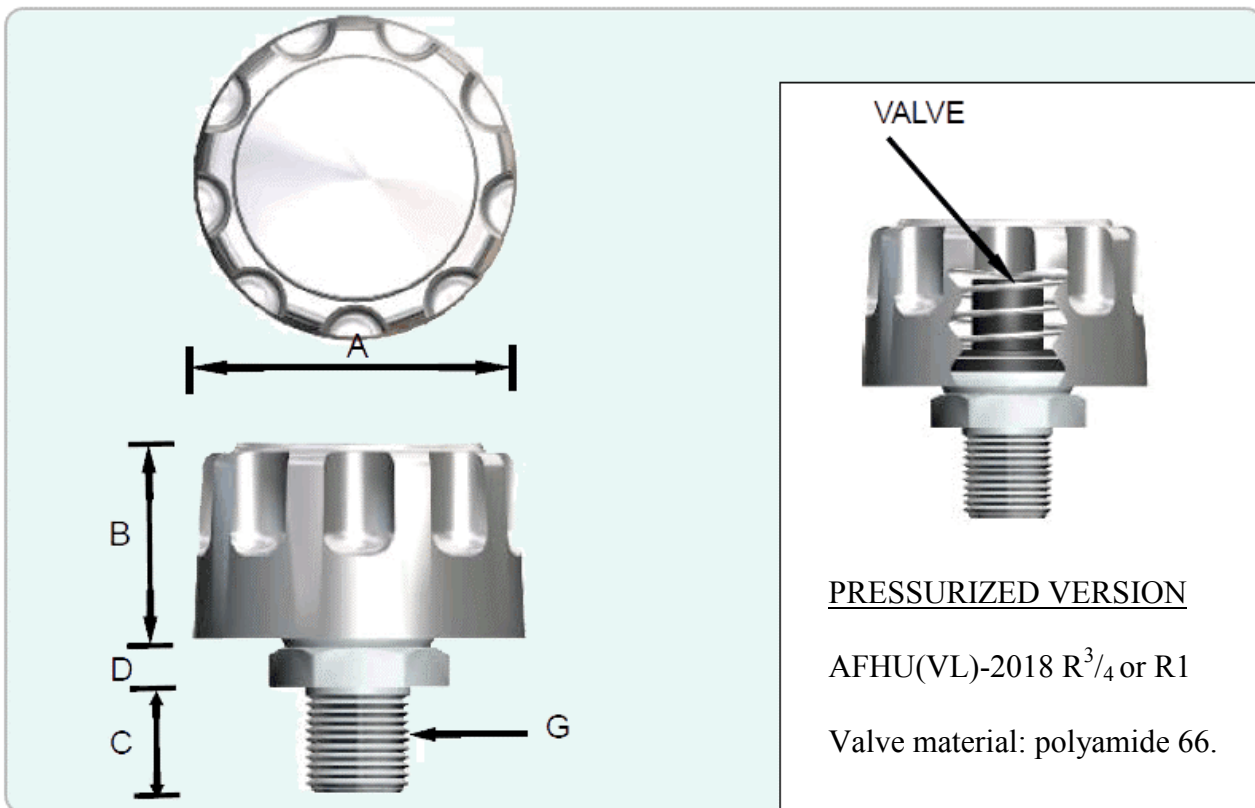
AIR FLOW RATES:

150 l/min & 750 l/min





FILLER BREATHERS



PART NO	Connection	MICRONS	A	B	C	D
AFHU(VL)-2021	R1/4	3 µm ABS, 10 µm ABS, 10 µm NOM.	47	34	12	7
AFHU(VL)-2021	R3/8	3 µm ABS, 10 µm ABS, 10 µm NOM.	47	34	12	7
AFHU(VL)-2015	R1/2	3 µm ABS, 10 µm ABS, 10 µm NOM.	76	42	16	8
AFHU(VL)-2015	R3/4	3 µm ABS, 10 µm ABS, 10 µm NOM.	76	42	16	8
AFHU(VL)-2015	R3/4	3 µm ABS, 10 µm ABS, 10 µm NOM.	76	42	16	8
AFHU(VL)-2015	R1	3 µm ABS, 10 µm ABS, 10 µm NOM.	76	42	16	8
AFHU(VL)-2015	M33	3 µm ABS, 10 µm ABS, 10 µm NOM.	76	42	16	8
AFHU(VL)-2018	R3/4	3 µm ABS, 10 µm ABS, 10 µm NOM.	76	42	16	8
AFHU(VL)-2018	R1	3 µm ABS, 10 µm ABS, 10 µm NOM.	76	42	16	8
AFHU(VL)-2021	R1/2	3 µm ABS, 10 µm ABS, 10 µm NOM.	47	34	12	7



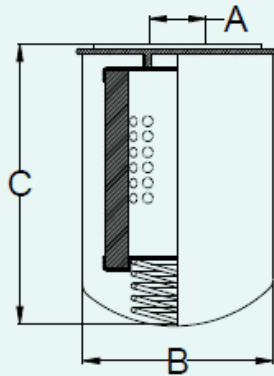
SPIN-ON BREATHERS

FILTER ELEMENT:

Steel seamed canister.
Max. Pressure : 10 bar.
Media : glass fibre 0,5 / 10 µm
Max. Flow : 150 LPM.
Disposable element.
Working Temp : -25 to 110 C

STOCK SIZES:

Element : R³/₄ , M24x1,5



TYPE	A	B	C	MICRONS
AFHUVL-2005	R3/4	95	130	0,5 µm ABS, 10 µm ABS
AFHUVL-2010	M24X1,5	95	130	10 µm ABS
AFHUVL-2006	R3/4	95	155	10 µm ABS
AFHUVL-2007	R3/4	95	215	10 µm ABS